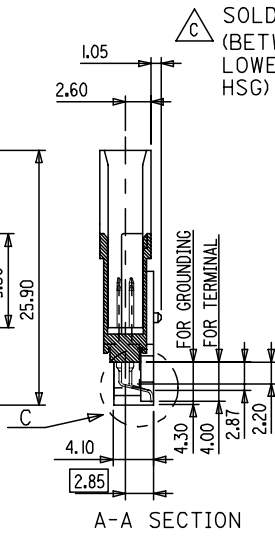
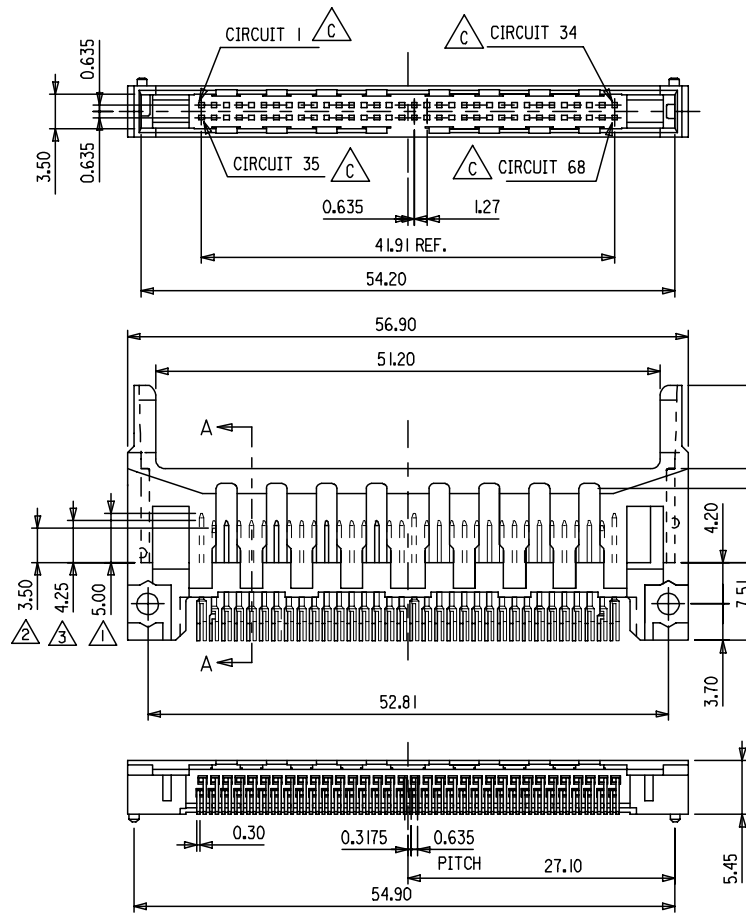


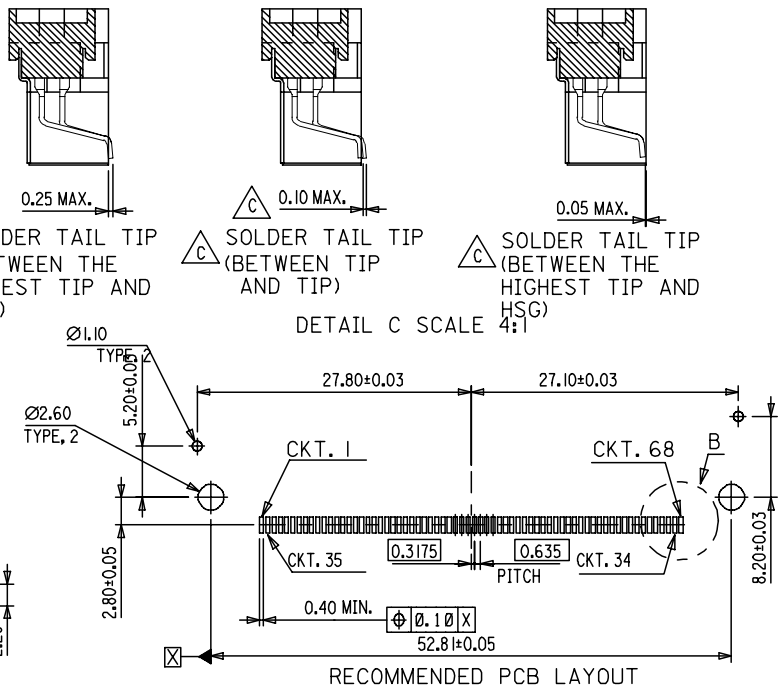
10 9 8 7 6 5 4 3 2 1

F
E
D
C
B
A

F
E
D
C
B
A



DETAIL B SCALE 4:1



- NOTES:
- APPLIES TO CIRCUIT NUMBER: 1, 17, 34, 35, 51, 68
 - APPLIES TO CIRCUIT NUMBER: 36, 67
 - APPLIES TO CIRCUIT NUMBER: THE OTHERS
 - COPLANITY BETWEEN SOLDER TAILS IS 0.10mm MAX.
 - TRUE POSITION BETWEEN SOLDER TAILS IS 0.15 mm MAX.
 - PRODUCT SPEC : PS-67160-01
 - FINISH: SELECTIVE GOLD (Au) IN CONTACT AREA. THICKNESS=0.38 MICROMETER MINIMUM. SELECTIVE TIN ALLOY IN SOLDER TAIL AREA THICKNESS=2.50 MICROMETER MINIMUM. NICKEL (Ni) OVERALL.

UPDATE PLATING SPEC. EC NO: T2004-0066 DRAWN: EVITA 2004/06/10 CHKD: 2004/06/11 APPR: WWSCHANG 2004/06/11	QUALITY SYMBOLS ▴ = 0 ▽ = 0 S = 0	GENERAL TOLERANCES (UNLESS SPECIFIED)		SCALE 2:1	DESIGN UNITS METRIC	THIRD ANGLE PROJECTION	REVISE ON CAD ONLY															
		<table border="1"> <thead> <tr> <th></th> <th>mm</th> <th>INCH</th> </tr> </thead> <tbody> <tr> <td>4 PLACES</td> <td>± ---</td> <td>± ---</td> </tr> <tr> <td>3 PLACES</td> <td>± ---</td> <td>± ---</td> </tr> <tr> <td>2 PLACES</td> <td>± 0.25</td> <td>± ---</td> </tr> <tr> <td>1 PLACE</td> <td>± 0.25</td> <td>± ---</td> </tr> </tbody> </table>			mm	INCH	4 PLACES	± ---	± ---	3 PLACES	± ---	± ---	2 PLACES	± 0.25	± ---	1 PLACE	± 0.25	± ---	DIMENSION STYLE MM ONLY		TITLE	
			mm	INCH																		
		4 PLACES	± ---	± ---																		
3 PLACES	± ---	± ---																				
2 PLACES	± 0.25	± ---																				
1 PLACE	± 0.25	± ---																				
DRAFT WHERE APPLICABLE		MUST REMAIN WITHIN DIMENSIONS		DRAWN BY: ARNOLD CHECKED BY: WWSCHANG APPROVED BY: MLIN	DATE: 99/07/20 DATE: 99/07/20 DATE: 99/07/20	PC CARD HEADER ASS'Y FOR 5.0V SMT REVERSE TYPE MOLEX INCORPORATED MATERIAL NO. 67130-0003 DOCUMENT NO. SD-67130-006 SHEET NO. 1 OF 1																
THIS DRAWING CONTAINS INFORMATION THAT IS PROPRIETARY TO MOLEX INCORPORATED AND SHOULD NOT BE USED WITHOUT WRITTEN PERMISSION																						

9 8 7 6 5 4 3 2 1

A3

8 7 6 5 4 3 2 1

SEE TABLE
ENG. NO.
EDP NO.
SIMILAR ITEM
CADFILE NO. S6736701.S01
DO NOT SCALE DRAWING

EJECTOR			BUTTON TYPE		PUSH PUSH BUTTON				Up/Down BUTTON				Turn BUTTON				Turn With Spring				Straight BUTTON								
			Push Side		Right		Left		Right		Left		Right		Left		Right		Left		Right		Left						
			Screw	P/N	Screw	W/O Screw	Screw	W/O Screw	Screw	W/O Screw	Screw	W/O Screw	Screw	W/O Screw	Screw	W/O Screw	Screw	W/O Screw	Screw	W/O Screw	Screw	W/O Screw	Screw	W/O Screw					
SMT (67130)	3.3 V PCMCIA	Normal Sinker	67130-0002	67349-0001					67121-0005															67121-0010					67349-0010
		Reverse	89426-1000	N/A					N/A															N/A					N/A
		Stand-off																											
	5.0 V PCMCIA	Normal Sinker																											
		Reverse	67130-0003	OK					OK															N/A					OK
		Stand-off																											
	3.3 V Card Bus	Normal Sinker	67130-0001	67160-0001					67160-0005															N/A					OK
		Reverse	67232-0001/2	N/A					N/A															OK					N/A
		Stand-off																											
	5.0 V Card Bus	Normal Sinker																											
		Reverse																											
		Stand-off																											
DIP (67286)	3.3 V PCMCIA	Normal Sinker																											
		Reverse	67286-0001	OK					OK														N/A					OK	
		Stand-off																											
	5.0 V PCMCIA	Normal Sinker																											
		Reverse																											
		Stand-off																											
	3.3 V Card Bus	Normal Sinker																											
		Reverse																											
		Stand-off																											
	5.0 V Card Bus	Normal Sinker																											
		Reverse																											
		Stand-off																											

P/N RULE :

FOR TOTAL ASS'Y P/N:
 1.) Every Row has its Series Number. The Option Number will be the same as Ejector', except 67170-0001.
 For example: The Header of Total Ass'y Series Number 67160 is 67130-0001.
 The Header of Total Ass'y Series Number 67170 is 67232-0001.
 The Ejector of Total Ass'y Part Number 67160-0005 is 67121-0005.

FOR EJECTOR P/N:
 1.) Right Push Ejector Option Number : Odd Number
 Left Push Ejector Option Number : Even Number
 2.) Ejector Button Color Number :
 The first character of ejector option number represent color number
 ex. : -0*** Color : Black
 -1*** Color : Gray

FOR HEADER P/N:
 1.) New Created Header P/N for different Soldering :
 SMT Series Header : Series Number will be 67130
 DIP Series Header : Series Number will be 67286
 2.) New Created Header P/N for different Mounting Type :
 ex. : -0*** Normal Type
 -1*** Sinker Type
 -2*** Reverse Type
 -3*** Stand-off Type

REVISED	EC NO. DRAWN: DAVID HU 2004/12/06 CHK: APPR:	NEW RELEASED EC NO: T2000-0101 DRAWN: Vincent Lin CHK: Tom Lu APPR: Mega Lin	DESCRIPTION MAJOR CRITICAL	QUALITY SYMBOLS		GENERAL TOLERANCES: (UNLESS SPECIFIED)		SCALE 1:1	DESIGN UNITS <input checked="" type="checkbox"/> mm <input type="checkbox"/> INCH	THIRD ANGLE PROJECTION <input checked="" type="checkbox"/> mm <input type="checkbox"/> INCH	DIMENSIONS: <input type="checkbox"/> mm <input type="checkbox"/> INCH <input type="checkbox"/> mm ONLY	SHT	REV				
				4 PLACES ±0. ±0.10		3 PLACES ±0. ±0.10		2 PLACES ±0.25 ±0.10		1 PLACE ±0.25 ±0.10		DRAWN BY & DATE Vincent Lin '000214		TITLE: PC CARD HOST ASS'Y P/N LIST			
				DRAFT WHERE APPLICABLE MUST REMAIN WITHIN DIMENSIONS		ANGULAR: ±3°		CHECKED BY & DATE		APPROVED BY & DATE		MOLEX		MATERIAL NO. SEE TABLE		DRAWING NO. SD-67367-001	
				THIS DRAWING CONTAINS INFORMATION THAT IS PROPRIETARY TO MOLEX INCORPORATED AND SHOULD NOT BE USED WITHOUT WRITTEN PERMISSION.		CAD FILENAME S6736701.S01		SHEET NO. 1		SIZE A3							

F
E
D
C
B
A