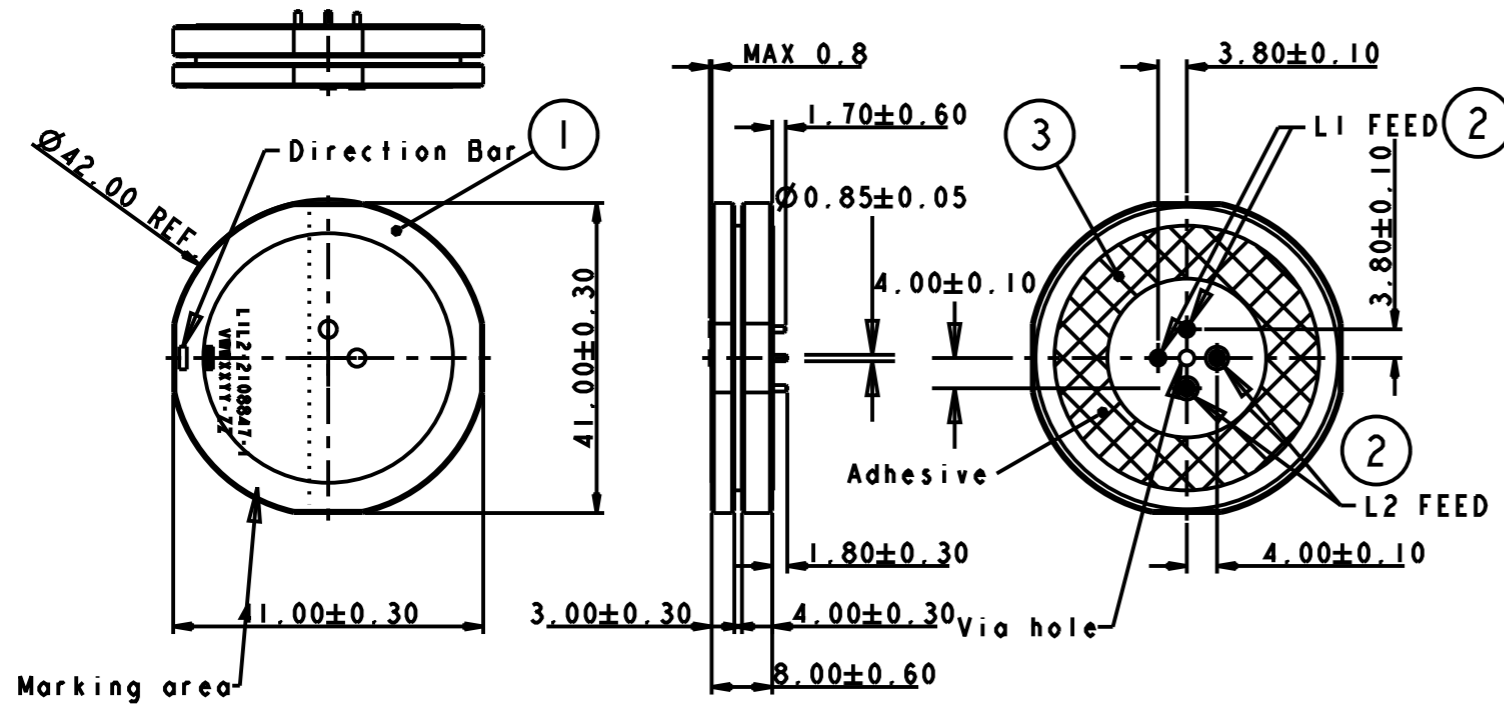


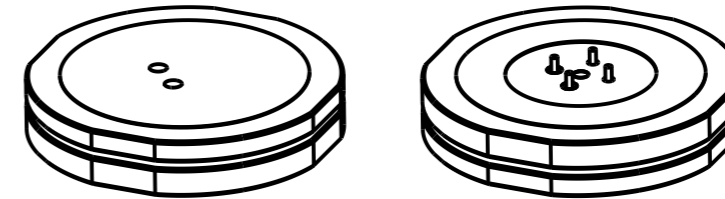
P	LTR	DESCRIPTION	DATE	DWN	APVD
	A	PRODUCTION RELEASED	11MAY2021	DW	JH



NOTES

- MATERIAL : REFER TO TABLE
- CONSULT TE CONNECTIVITY DATA SHEET DS2108847.
- PACKAGING : TRAY
- MARKING INCLUDES:
 - PART NUMBER IDENTIFICATION
 - 10 DIGITS DATE CODE:
 - V : LINE SECTION, W : YEAR, XX : MONTH, YY : DAY, ZZ : SERIAL No. OF DAILY

ITEMS	MATERIAL	SPECIFICATION
① DIELECTRIC	CERAMIC	L1 FOR Dk : 9.50 ± 0.50 L2 FOR Dk : 20.50 ± 0.50
② FEED	ELECTRODE : SILVER PROBE : BRASS	
③ DOUBLE SIDED ADHESIVE TAPE	3M 468MP	THICKNESS : 1.0t



AS SHOWN : 2108847-1

THIS DRAWING IS A CONTROLLED DOCUMENT.		DWN DW.PARK 17FEB2021		
DIMENSIONS: mm		CHK H.SHIN 17FEB2021		
TOLERANCES UNLESS OTHERWISE SPECIFIED:		APVD JH.KIM 17FEB2021	NAME Ceramic ant., SMD, L1+G1 AND L2	
0 PLC ±- 1 PLC ±- 2 PLC ±- 3 PLC ±- 4 PLC ±- ANGLES ±-		PRODUCT SPEC -	RESTRICTED TO -	
MATERIAL SEE NOTE 1		APPLICATION SPEC -	SIZE A300779	DRAWING NO C=2108847
FINISH -		WEIGHT -	SCALE 1:1	SHEET 1 OF 1
-		CUSTOMER DRAWING	REV A	