

1. Scope

The present specifications shall apply to an FMJ-23L.

2. Outline

Type	Silicon Schottky Barrier Diode	
Structure	Resin Molded	Flammability : UL94V-0(Equivalent)
Applications	High Frequency Rectification, etc.	

3. Absolute maximum ratings

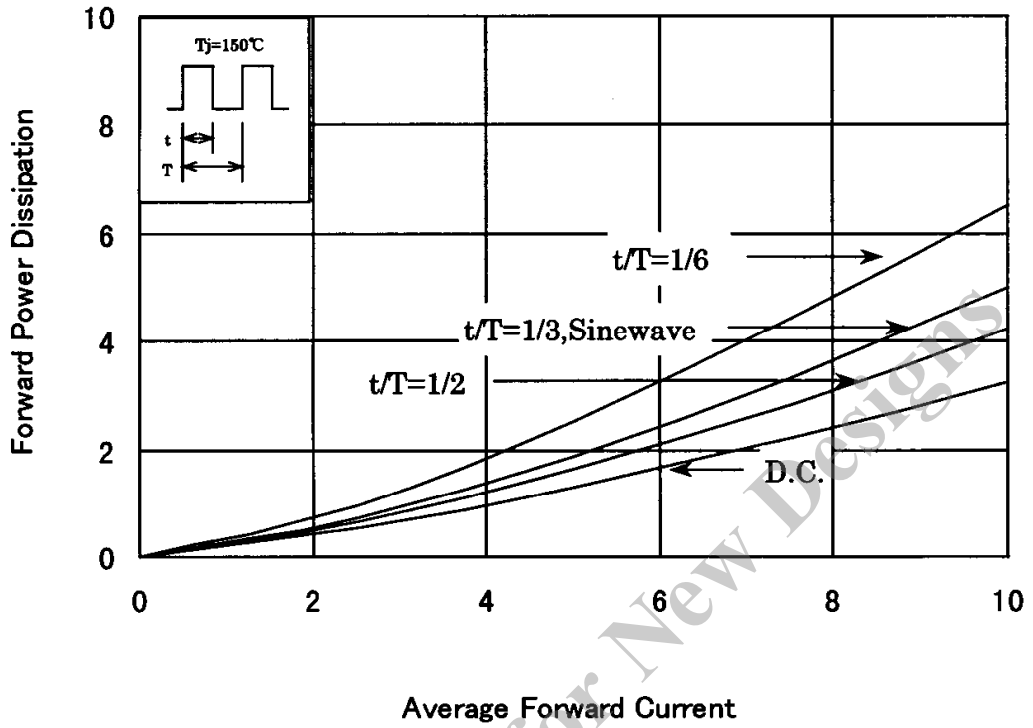
No.	Item	Symbol	Unit	Rating	Conditions
1	Transient Peak Reverse Voltage	V_{RSM}	V	30	
2	Peak Reverse Voltage	V_{RM}	V	30	
3	Average Forward Current	$I_{F(AV)}$	A	10	$T_c=111$, sinewave
4	Peak Surge Forward Current	I_{FSM}	A	100	Half sinewave, one shot
5	I^2t Limiting Value	I^2t	A^2s	50	
6	Junction Temperature	T_j		- 40 ~ +150	
7	Storage Temperature	T_{stg}		- 40 ~ +150	
8	Screwing Torque		N·m	0.59	
9	Dielectric Strength		kV	A.C. 1.0	Junction and case (1 min.)

4. Electrical characteristics ($T_a=25$, unless otherwise specified)

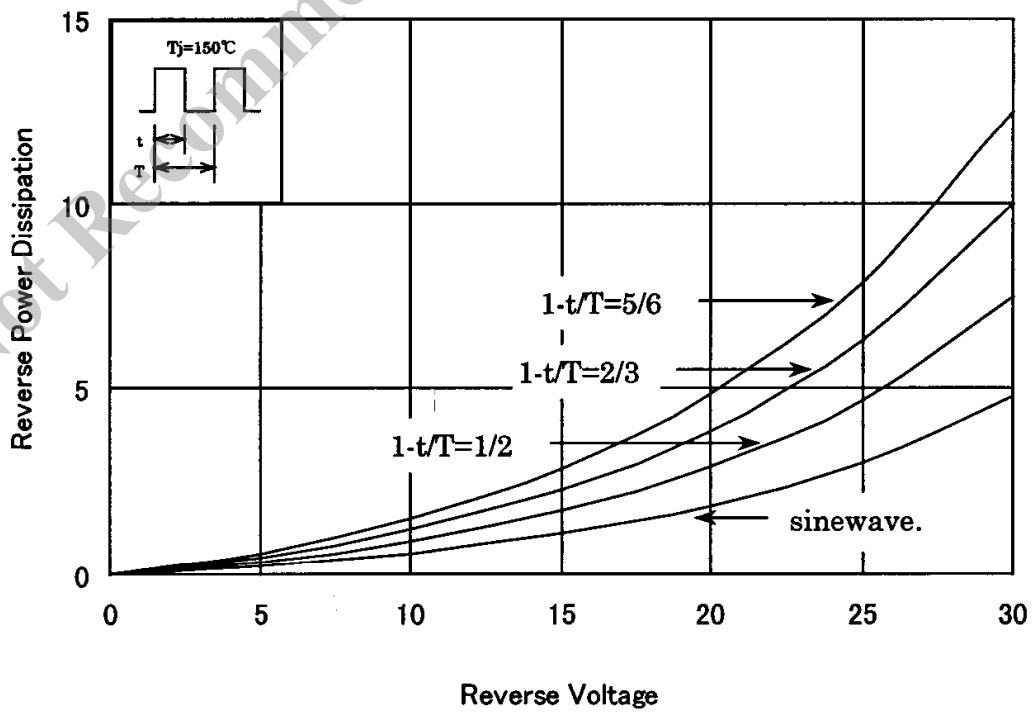
No.	Item	Symbol	Unit	Value	Conditions
1	Forward Voltage Drop	V_F	V	0.45 max.	$I_F=5.0A$
2	Reverse Leakage Current	I_R	mA	5.0 max.	$V_R=V_{RM}$
3	Reverse Leakage Current Under High Temperature	$H \cdot I_{R1}$	mA	50 max.	$V_R=V_{RM}, T_j=125$
		$H \cdot I_{R2}$	mA	250 max.	$V_R=V_{RM}, T_j=150$
4	Thermal Resistance	$R_{th(j-c)}$	/W	4.0 max.	Between junction and case

5. Characteristics

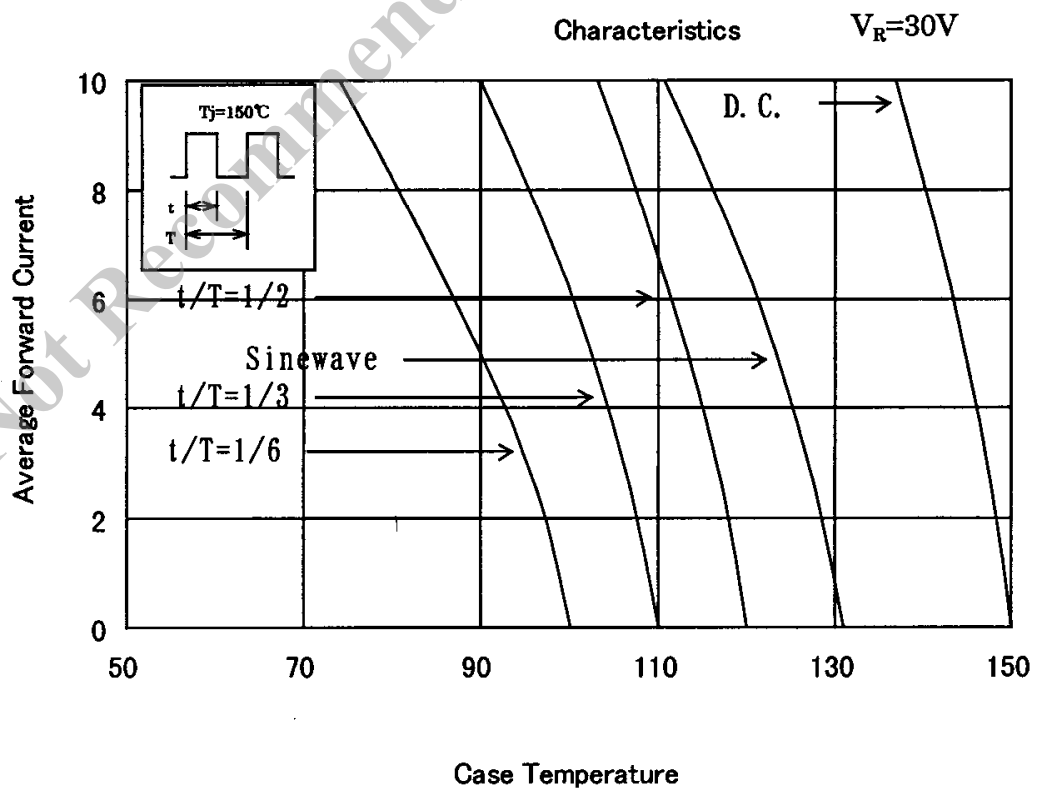
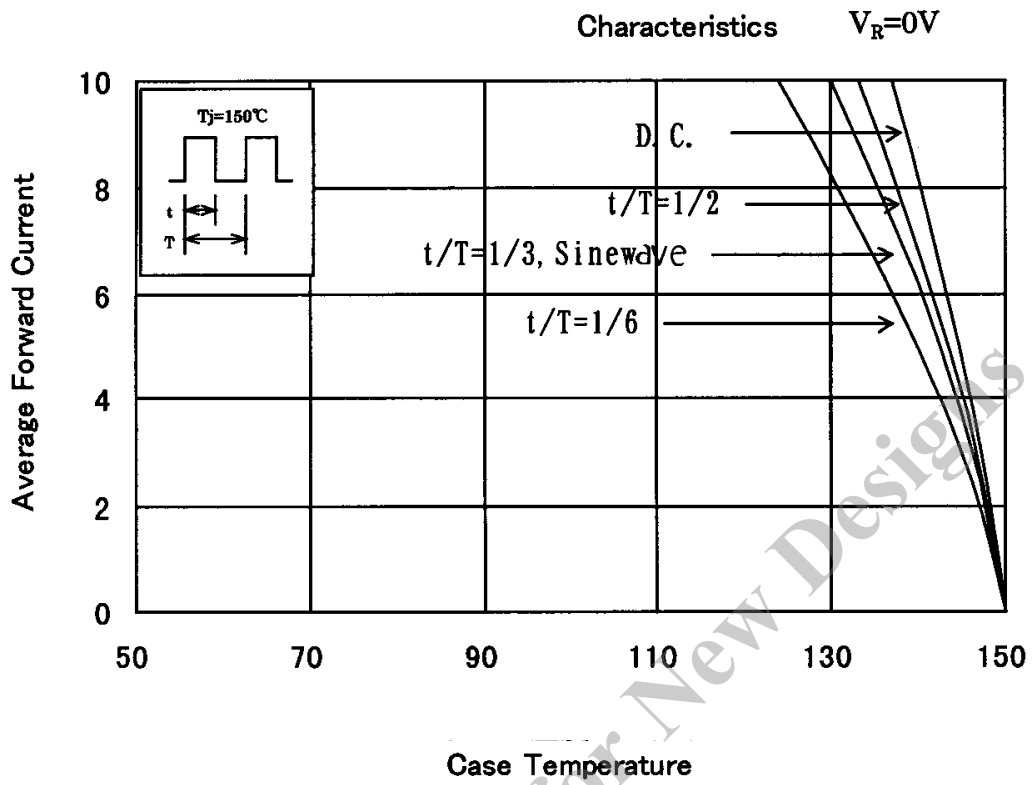
Characteristics



Characteristics

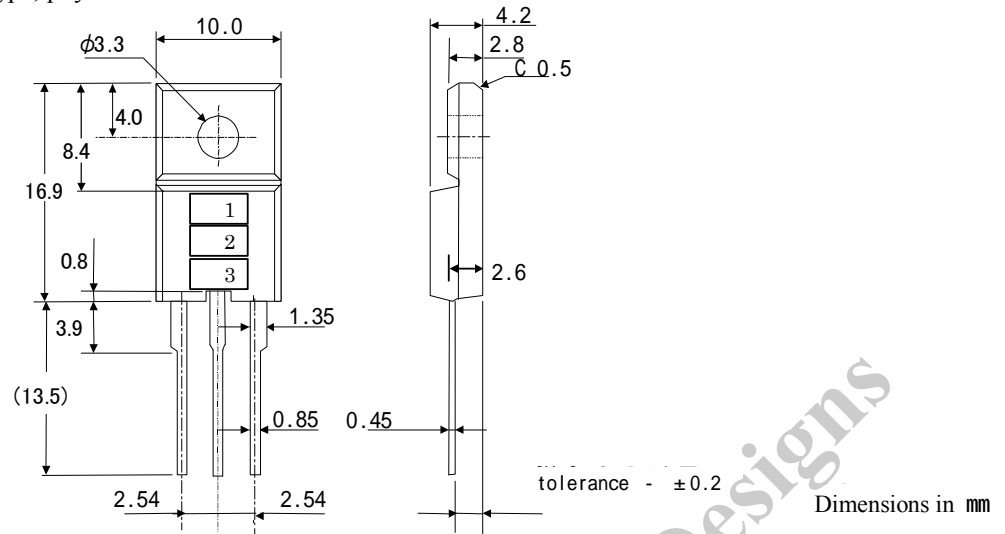


6. Derating Curve



7. Package information

7-1 Package type, physical dimensions and material



7-2 Appearance

The body shall be clean and shall not bear any stain, rust or flaw.

7-3 Marking

Type Name	Marking		
	*1 Type Name	*2 Polarity	*3 Lot number
FMJ-23L	FMJ23L		1st letter: Last digit of year 2nd letter: Month From 1 to 9 for Jan. to Sep., O for Oct., N for Nov., D for Dec. 3rd & 4th letter: Day ex. 3O10 (Oct. 10, 2003)

Not Recommended for New Designs